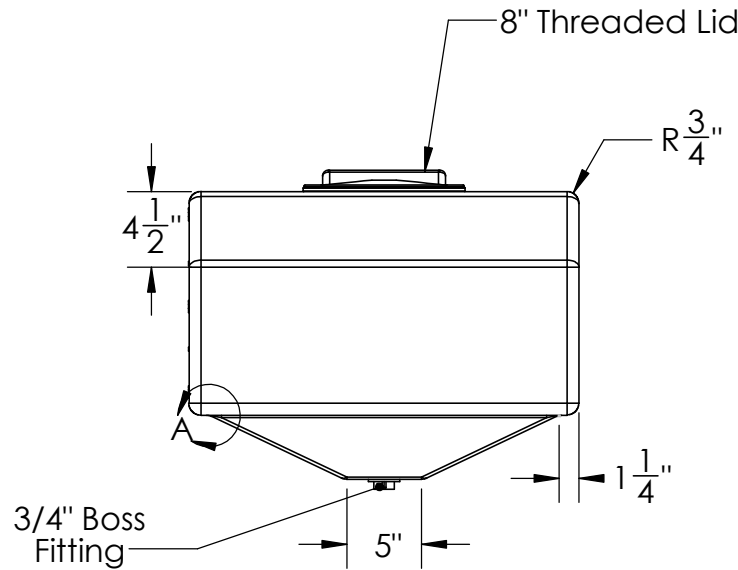
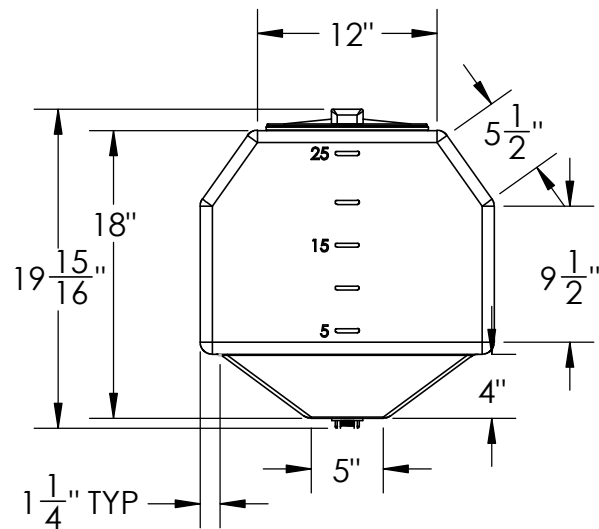
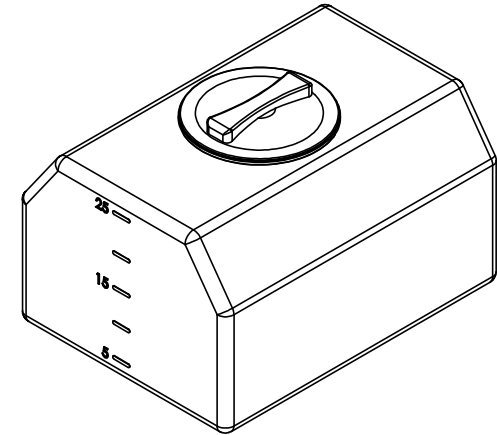


DETAIL A



25 Gal Total Drain Tank



1390 Neubrecht Road
Lima, Ohio 45801

STOCK NO.
18597, 18598

REV
A

DO NOT SCALE DRAWING

WEIGHT: 14 lbs.

PROPRIETARY AND CONFIDENTIAL

THE INFORMATION CONTAINED IN THIS DRAWING IS THE SOLE PROPERTY OF TAMCO. ANY REPRODUCTION IN PART OR AS A WHOLE WITHOUT THE WRITTEN PERMISSION OF TAMCO IS PROHIBITED.

MAX. OPERATING TEMP. 140°F
INTERMITTENT SERVICE TO 160°F
SEE CHEMICAL RESISTANCE
CHART FOR COMPATIBILITY

DIMENSIONS ARE IN INCHES TOLERANCE: ± 1/4"	
MATERIAL	LLDPE - FDA resin
CAPACITY	25 Gal
GRADUATIONS	5 Gal
NOMINAL WALL THICKNESS	3/16"

	NAME	DATE
DRAWN	NJV	7/12/23
APPROVED		
REVISIONS		
COMMENTS:		
Natural, Black UV Stabilized		